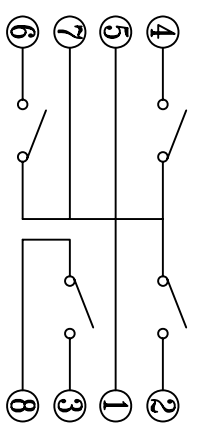
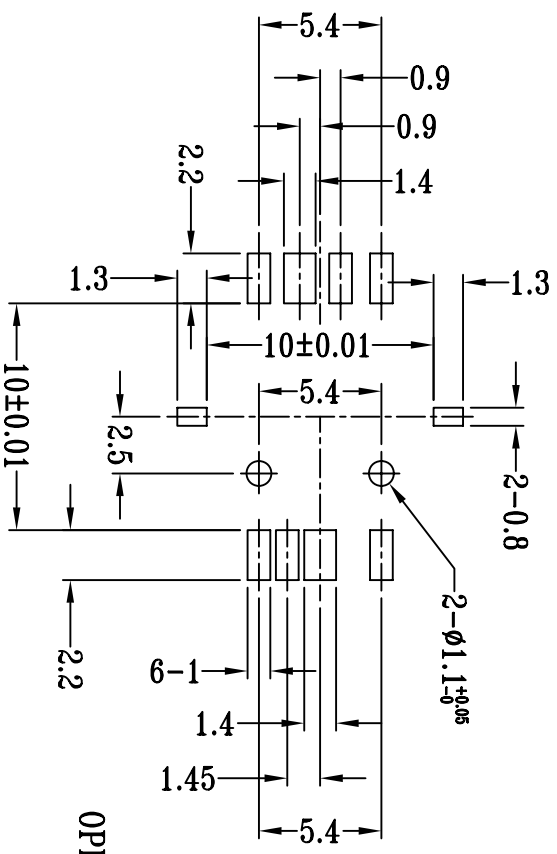
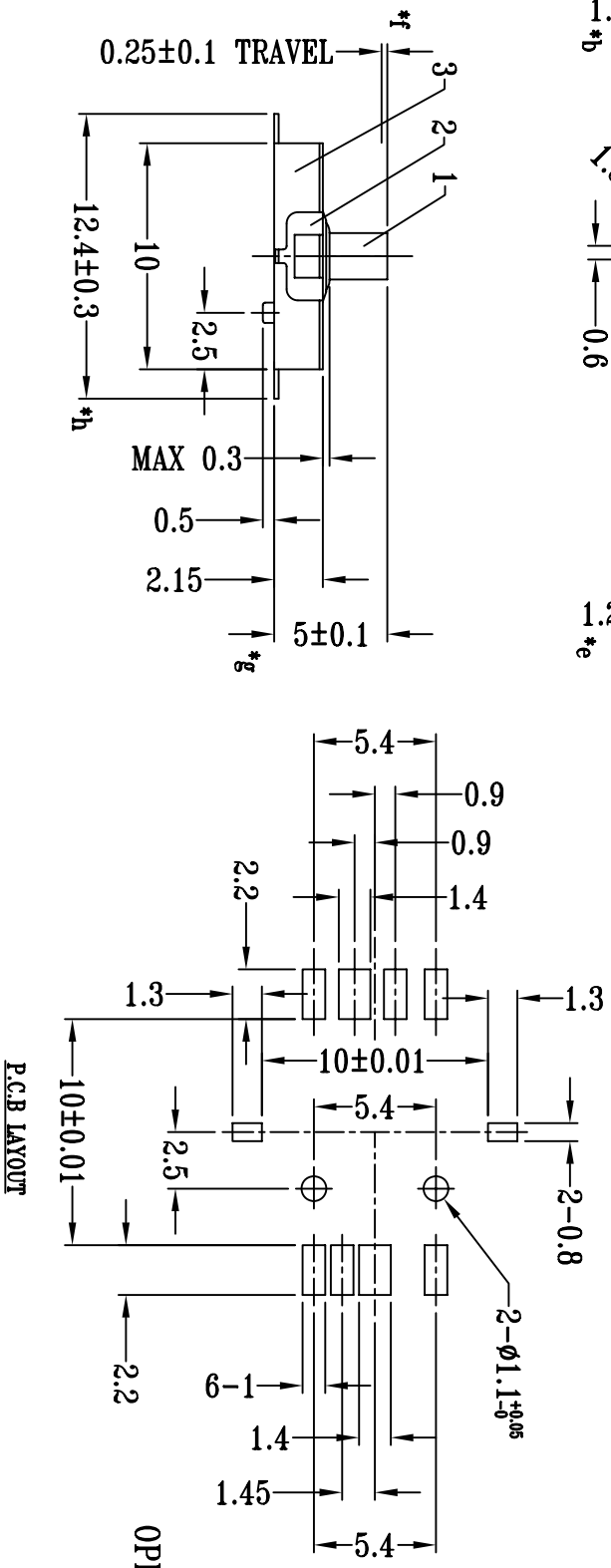
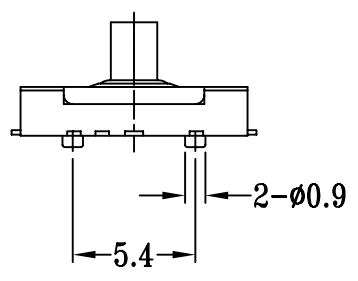
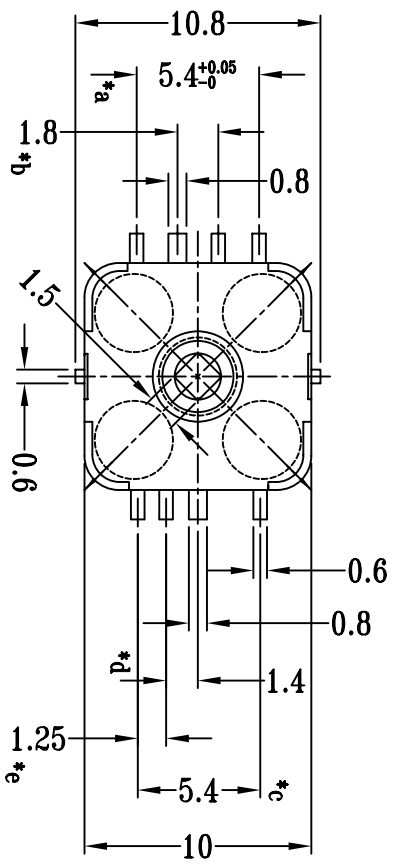




CAD FILE:



CIRCUIT DIAGRAM

OPERATING FORCE:
 TOTAL:1250±250gf
 LOCAL:500±150gf

注:带*表示关键尺寸(8个)

P.C.B LAYOUT

8			TOLERANCE UNLESS SPECIFIED	SHENZHEN XIEJIA ELECTRONICS CO.,LTD.	
7			WIDTH: 1.5±0.1mm OVER : 1.5±0.2mm	ISSUE	DATE
6			TITLE :MULTI FUNCTION SWITCH	DESCRIPTIONS OF REVISION	APPD.
5			MODEL: MT-001A	UNIT : mm	SCALE: 3 : 1
4	CONTACT	SUS	5	Ag CLAD	DRWG NO.: XJ-DR-MT001A-00
3	CASE	BRASS STRIP	1	BLACK/Ag PLATED	DWN. ZHOUYU
2	COVER	SUS	1	WASHING	CHK'D FANGYING
1	NOB	NYLON	1	BLACK	APPD. KANGXINAN
NO.	PARTS	MATERIALS	Q'TY	FINISH	2002-1-6
ALL MATERIALS MUST BE COMPLIANT TO ROHS					2002-1-6